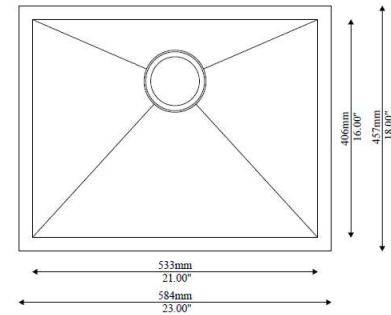


Single Bowl Sink

SIN-16-SINBWL-WEL-2318

Specifications



FEATURES:

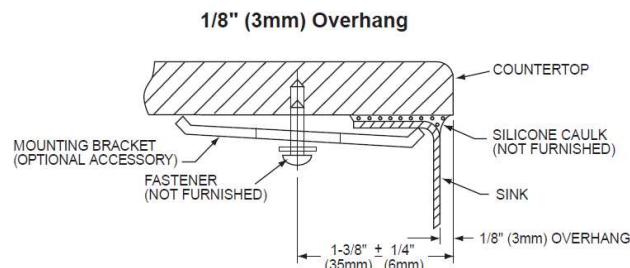
- 16 (1.59 mm) gauge nickel-bearing stainless steel
- 10" (254mm) deep
- Radius: R0
- Satin finish
- 3-1/2" (89mm) drain opening
- Sound dampening pad with spray undercoating
- Minimum cabinet size: 27"



These sinks are listed by the International Association of Plumbing and Mechanical Officials as meeting the requirements of the Uniform Plumbing Code.

OPTIONAL ACCESSORIES:

Electronic Template Mounting Option (Download DXF File from www.msistone.com)



NOTE: THIS UNDERMOUNT SINK IS DESIGNED TO MOUNT TO SOLID SURFACE (NON-LAMINATE) COUNTERTOP ONLY.