

#### Features

- Oval basin with unglazed underside
- Overflow drain
- Fits standard 14" x 17" (356 x 432 mm) countertop cutout

#### Material

- Vitreous china

#### Installation

- Undermount

#### Recommended Products/Accessories

- K-8998 P-Trap
- K-23726 Drain treatment
- K-23725 Cast iron cleaner

#### Included Components

- 1193643 Basin clamps



ADA

CSA B651

#### Codes/Standards




ASME A112.19.2/CSA B45.1  
ADA  
ICC/ANSI A117.1  
CSA B651

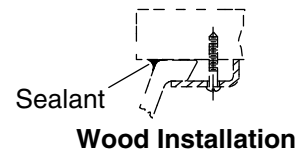
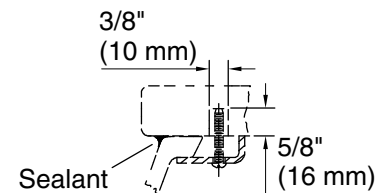
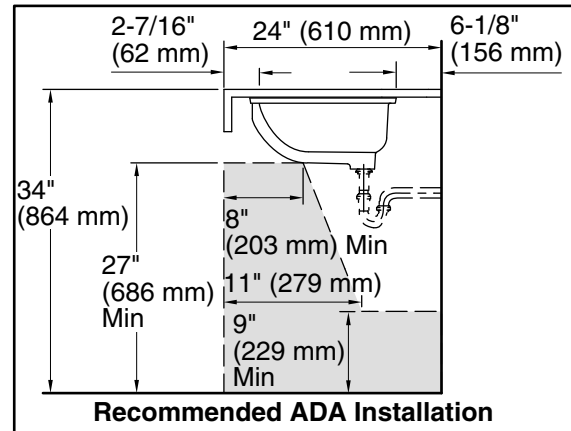
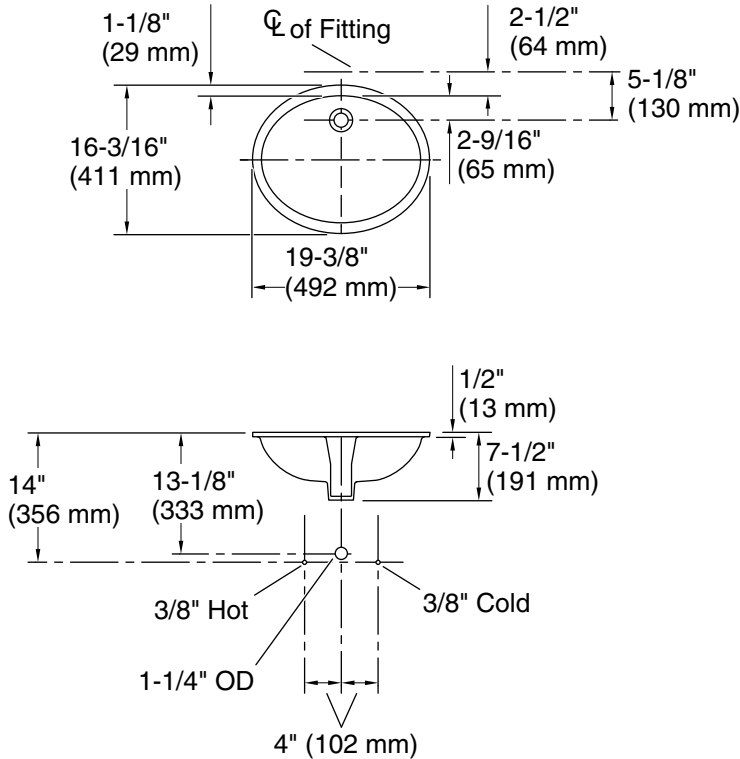
#### KOHLER® Vitreous China Bathroom Sink Lifetime Limited Warranty

See website for detailed warranty information.

#### Available Colors/Finishes

*Color tiles intended for reference only.*

Color	Code	Description
	0	White
	96	Biscuit
	7	Black Black™



#### Technical Information

All product dimensions are nominal.

Basin configuration: Single Bowl  
 Bowl area (Basin #1): Length: 17" (432 mm)  
 Width: 14" (356 mm)  
 Water depth: 4" (102 mm)

With overflow: Yes

Drain hole: 1-3/4" (44 mm)

Template: Undermount, 1151011-7, required, not included

#### Notes

Install this product according to the installation instructions.

NOTICE: Countertop manufacturer or cutter must use the current product template available at [www.kohler.com](http://www.kohler.com), or by calling 1-800-4KOHLER. Kohler Co. is not responsible for cutout errors when the incorrect cutout template is used.

Product dimensions are nominal and may vary per ASME A112.19.2 tolerances.

ADA, CSA B651 compliant when installed to the specific requirements of these regulations.